

FIRE-RATED WINDOWS, DOORS AND PARTITION WALLS

MB-86EI

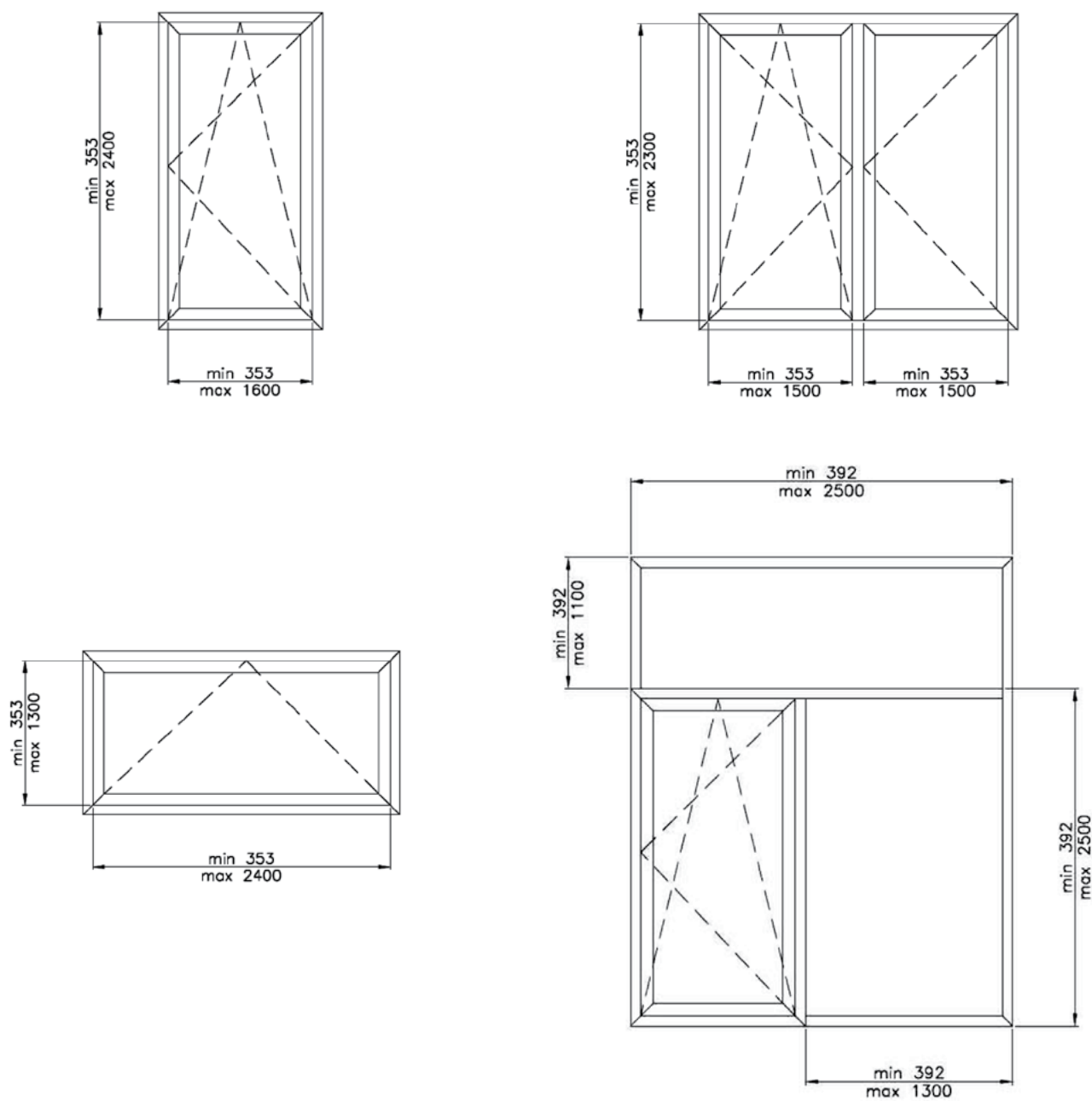
The MB-86EI is a system of thermally insulated, fire-rated windows, doors and partitions. It is designed to be used for building external fire compartments fitted with operable windows and doors and fixed partitions with a primary fire-rating of EI30, EW30 and EI15, in line with the EN 13501-2 standard. The structure is based on our MB-86 system, meaning that it features high thermal and acoustic insulation, along with excellent water- and airtight parameters.

EI 30



CE

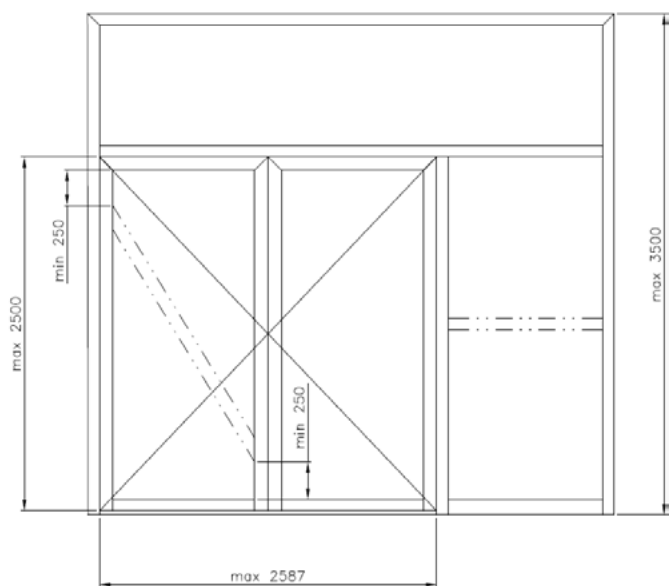
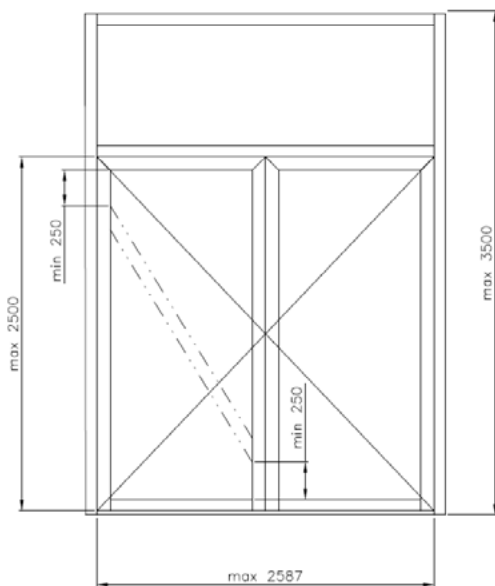
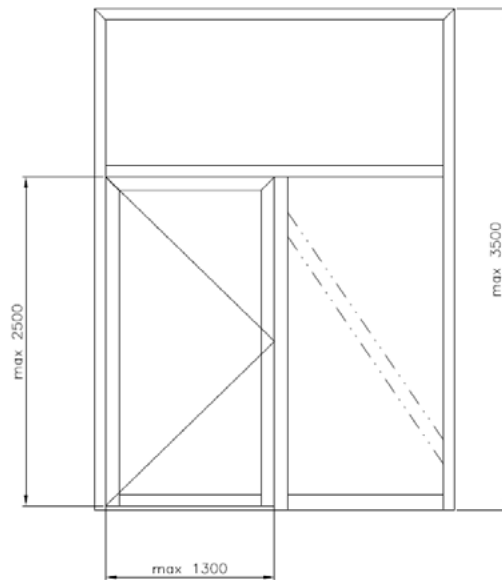
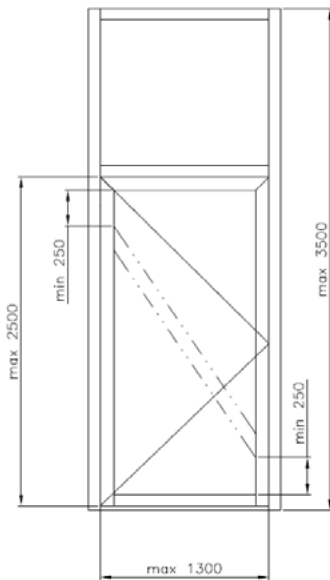
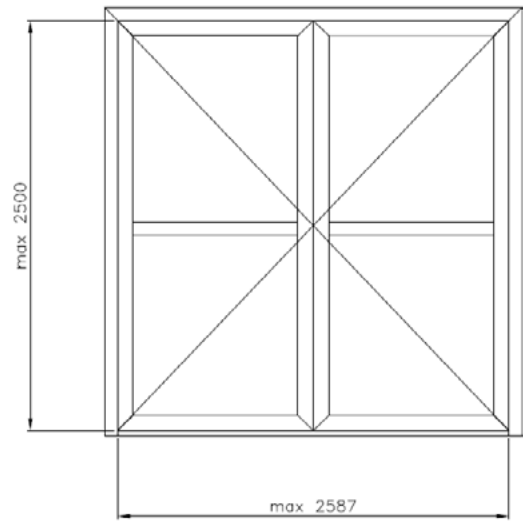
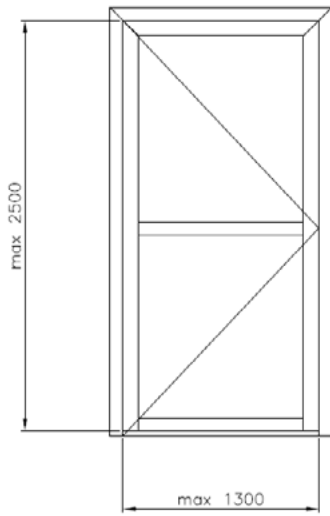
Max. dimensions of the windows

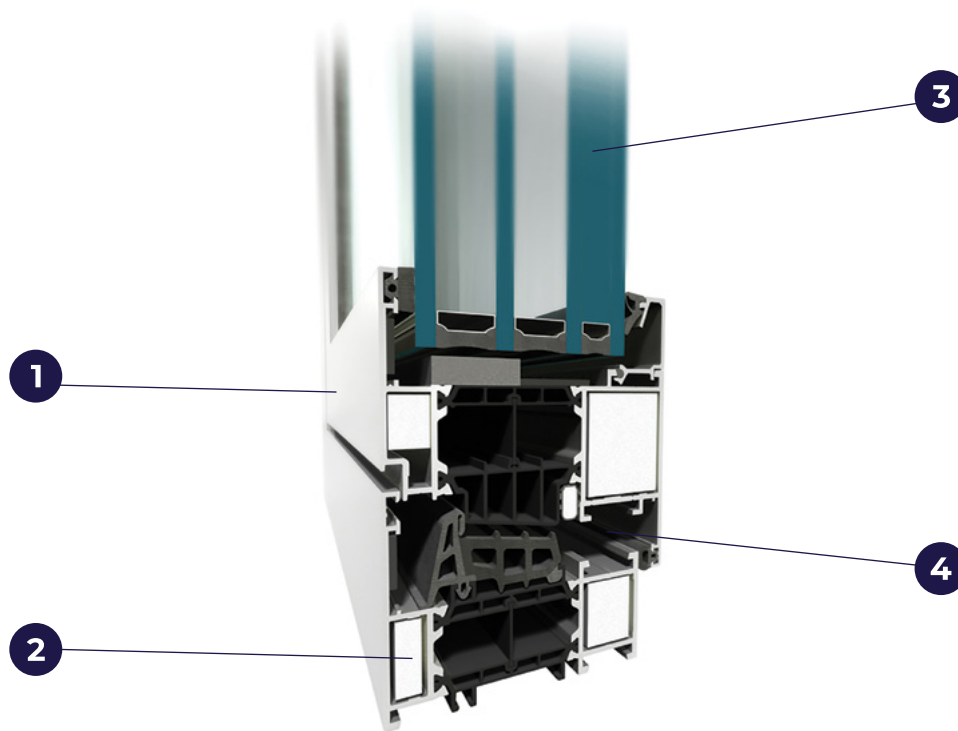


TECHNICAL SPECIFICATION	WINDOWS MB-86EI	DOORS MB-86EI
Frame depth	77 mm	77 mm
Casement depth	86 mm	77 mm
Glazing thickness	frame: 13 to 61 mm, casement: 22 up to 70 mm	41-61 mm H do 3000 mm, L do 1300 mm
Max casement weight	130 kg	200 kg
TECHNICAL PARAMETERS	WINDOWS MB-86EI	DOORS MB-86
Air leakage	class 4, EN 12207	class 4, EN 12207
Water resistance	class E 1500, EN 12208	class E 1350, EN 12208
Wind resistance	class C5, EN 12210	class C5/B5, EN 12210
Thermal insulation	U_f od 1,07 W/(m ² K), U_w od 0,86 W/(m ² K)*	U_f od 1,76 W/(m ² K)
Fire resistance rating	class EI30	class EI30

* - for a 2000 x 1100 mm window with triple glazing unit $U_g=0.5$ W/(m²K), warm spacer and EI30-rated fire-resisting glazing pane

Max dimmensions of doors and partition walls





- 1 three-chambered profiles, with a 43 or 42 mm-wide insulation chamber between thermal breaks as a central part
- 2 fire resistance is ensured by the appropriately rated glass panes, fire insulation elements in the internal chambers of aluminium profiles and special accessories and materials used in the space between aluminium profiles and the glazing
- 3 wide range of glazing thickness allows for use of different types of insulated glass, including triple glazing units
- 4 hardware used in MB-86EI is typically RC2 burglar-resistant-rated

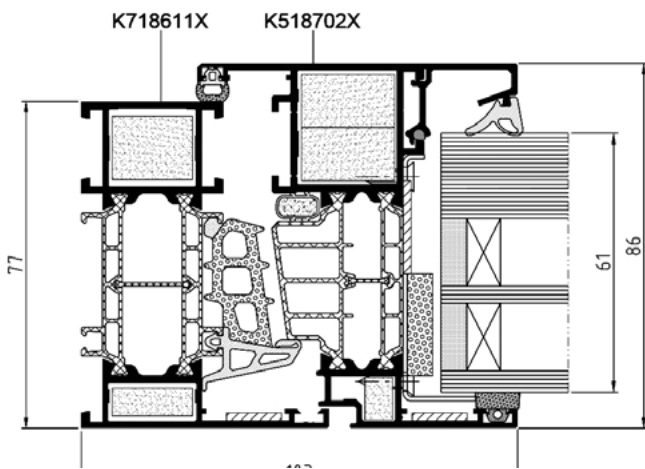
MB-86 EI-based constructions hold an ITB's Classifications No. 1036/19/R419NZZ, 1036/18/R360NZZ and 1036/20/R547NZZ

<p>Instytut Techniki Budowlanej <small>Research and development works Accredited Group of Laboratories Notified Body N° 1488 (EU) member Certified management systems ISO 9001, ISO 27001</small></p>	
<p>CLASSIFICATION OF FIRE RESISTANCE IN ACCORDANCE WITH EN 13501-2:2016</p>	
Order No.:	1036/18/R360NZZ
Owner of this report:	ALUPROF® S.A. ul. Warszawska 153 43-300 Bielsko-Biala Poland
Prepared by:	Fire Research Department Building Research Institute 21, Kazimierza St. PL 02-656 Warsaw
Name of product:	Aluminium framed windows of ALUPROF® MB-86EI system
Classification Report No.:	1036.1/18/R360NZZ/ENG
Issue number:	1
Copy number:	1
Date of issue:	2018.12.20
<p><small>This classification report consists of 14 pages and may only be used or reproduced in its entirety.</small></p>	

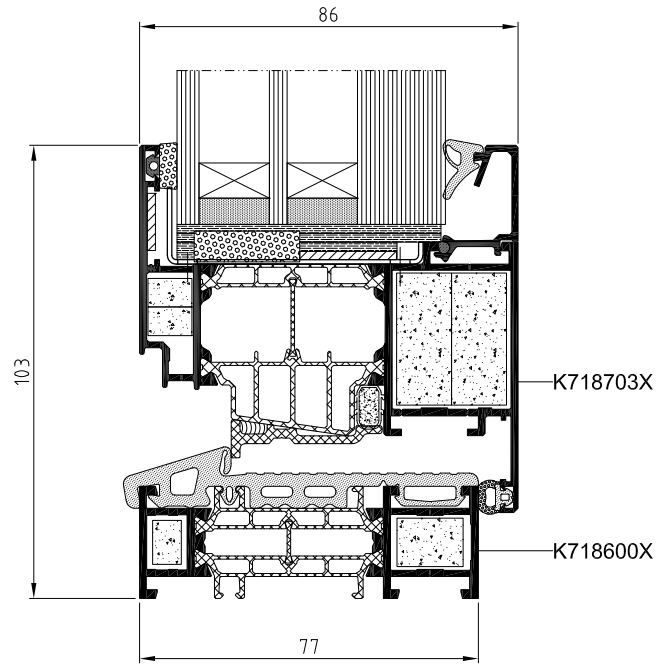
<p>Instytut Techniki Budowlanej <small>Research and development works Accredited Group of Laboratories Notified Body N° 1488 (EU) member Certified management systems ISO 9001, ISO 27001</small></p>	
<p>CLASSIFICATION OF FIRE RESISTANCE IN ACCORDANCE WITH EN 13501-2:2016</p>	
Order No.:	1036/20/R547NZZ
Owner of this report:	ALUPROF® S.A. ul. Warszawska 153 43-300 Bielsko-Biala Poland
Prepared by:	Fire Research Department Building Research Institute 21, Kazimierza St. PL 02-656 Warsaw
Name of product:	Aluminium, profiled doors of ALUPROF® MB-86EI E1,30 system
Classification Report No.:	1036/20/R547NZZ/ENG
Issue number:	1
Date of issue:	2020.05.24
<p><small>This classification report consists of 18 pages and may only be used or reproduced in its entirety.</small></p>	

<p>Instytut Techniki Budowlanej <small>Badania naukowe Prace rozwojowe Akredytowany Dział Laboratoriów Jednostka notyfikowana nr 1488 Czynnik EOTX Certyfikowane systemy zarządzania ISO 9001, ISO 27001</small></p>	
<p>KLASYFIKACJA W ZAKRESIE ODPORNOŚCI OGNIOWEJ ZGODNIE Z PN-EN 13501-2:2016-07</p>	
Nr zlecenia:	1036/19/R419NZZ
Właściciel opracowania:	ALUPROF® S.A. ul. Warszawska 153 43-300 Bielsko-Biala
Klasyfikacja opracowana przez:	Zakład Badań Ogniowych Instytutu Techniki Budowlanej ul. Piłsowskiego 1 00-611 Warszawa
Nazwa wyrobu:	Ściany aluminiowe, profile, systemu ALUPROF® MB-86EI
Numer klasyfikacji:	1036/19/R419NZZ
Numer wydania:	1
Numer egzemplarza:	1
Data wydania:	2019.06.28
<p><small>Niniejszy raport klasyfikacyjny składa się z 8 stron i może być używany lub powielany wyłącznie w całości.</small></p>	

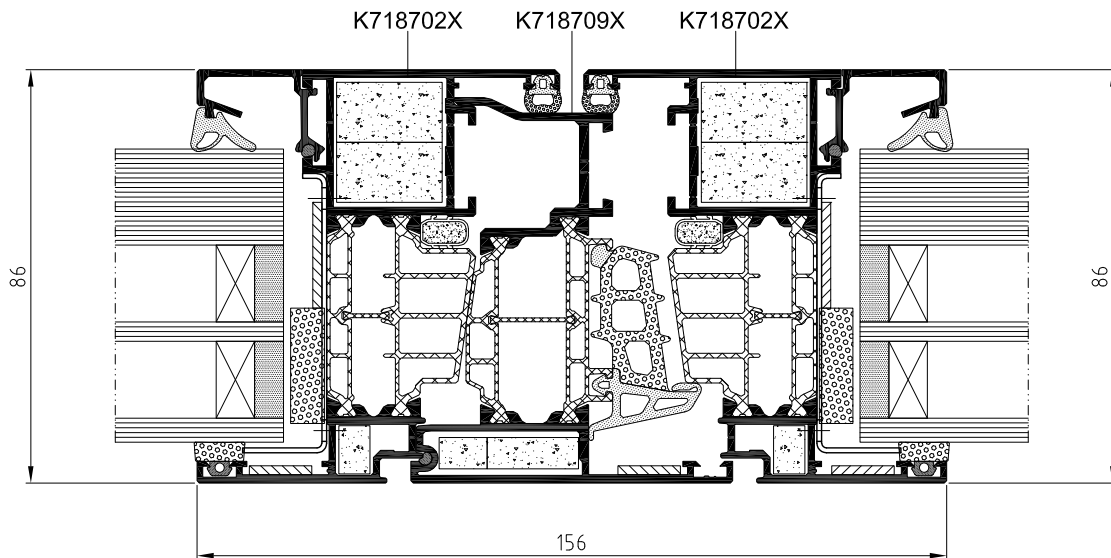
Window cross-section



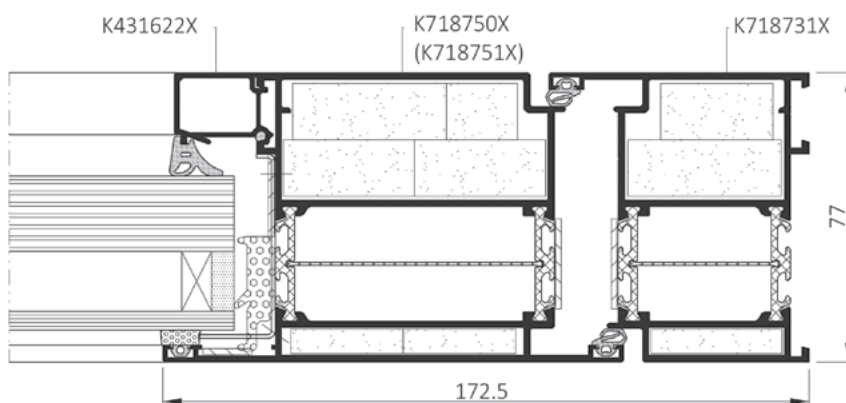
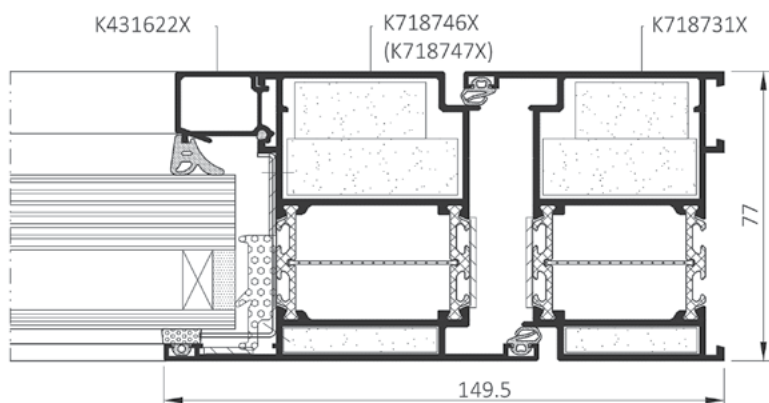
Balcony door with low-level threshold, cross-section



Double window with floating mullion, cross-section



Door EI₁ – cross-section



Door EI₂ – cross-section

